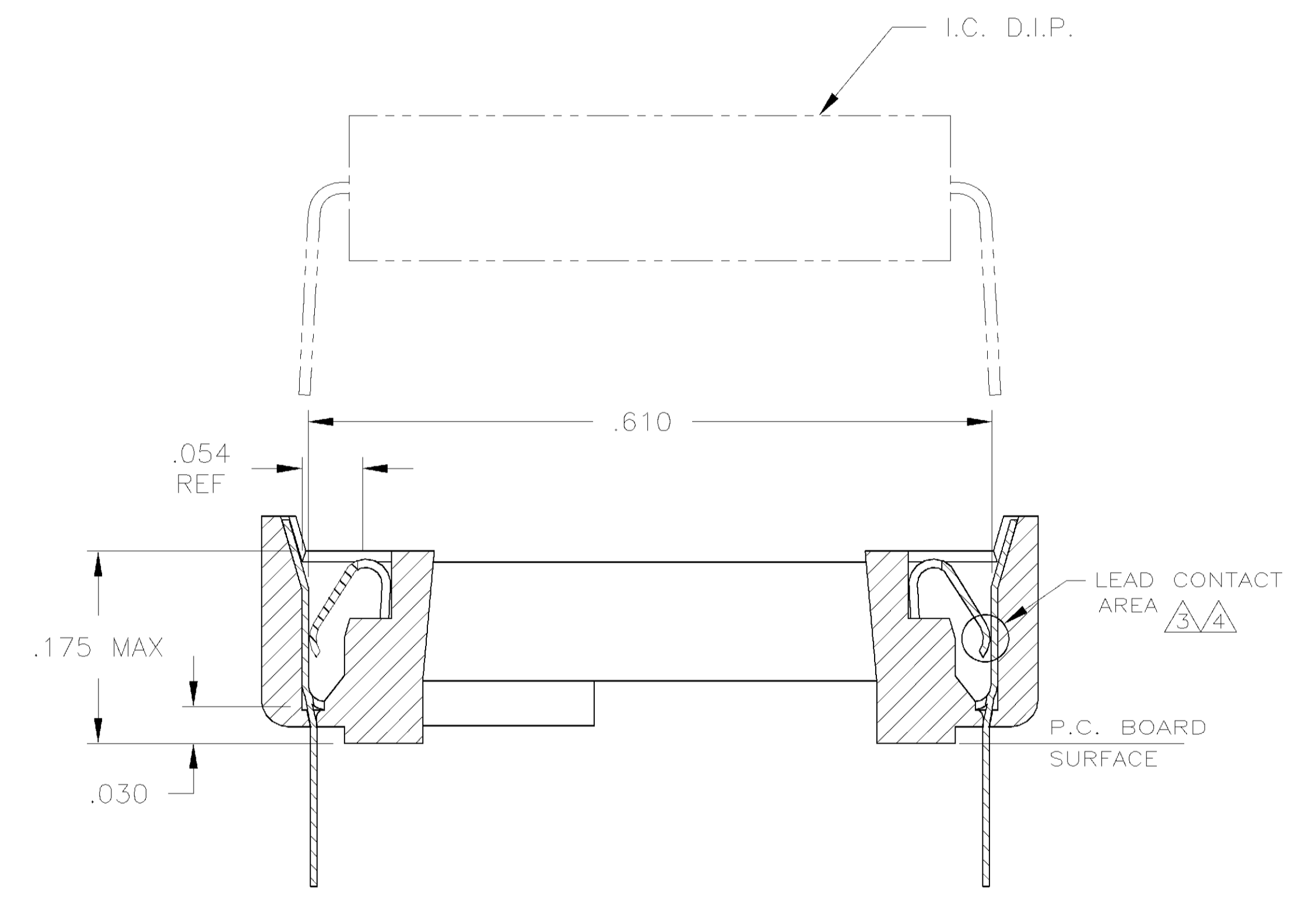
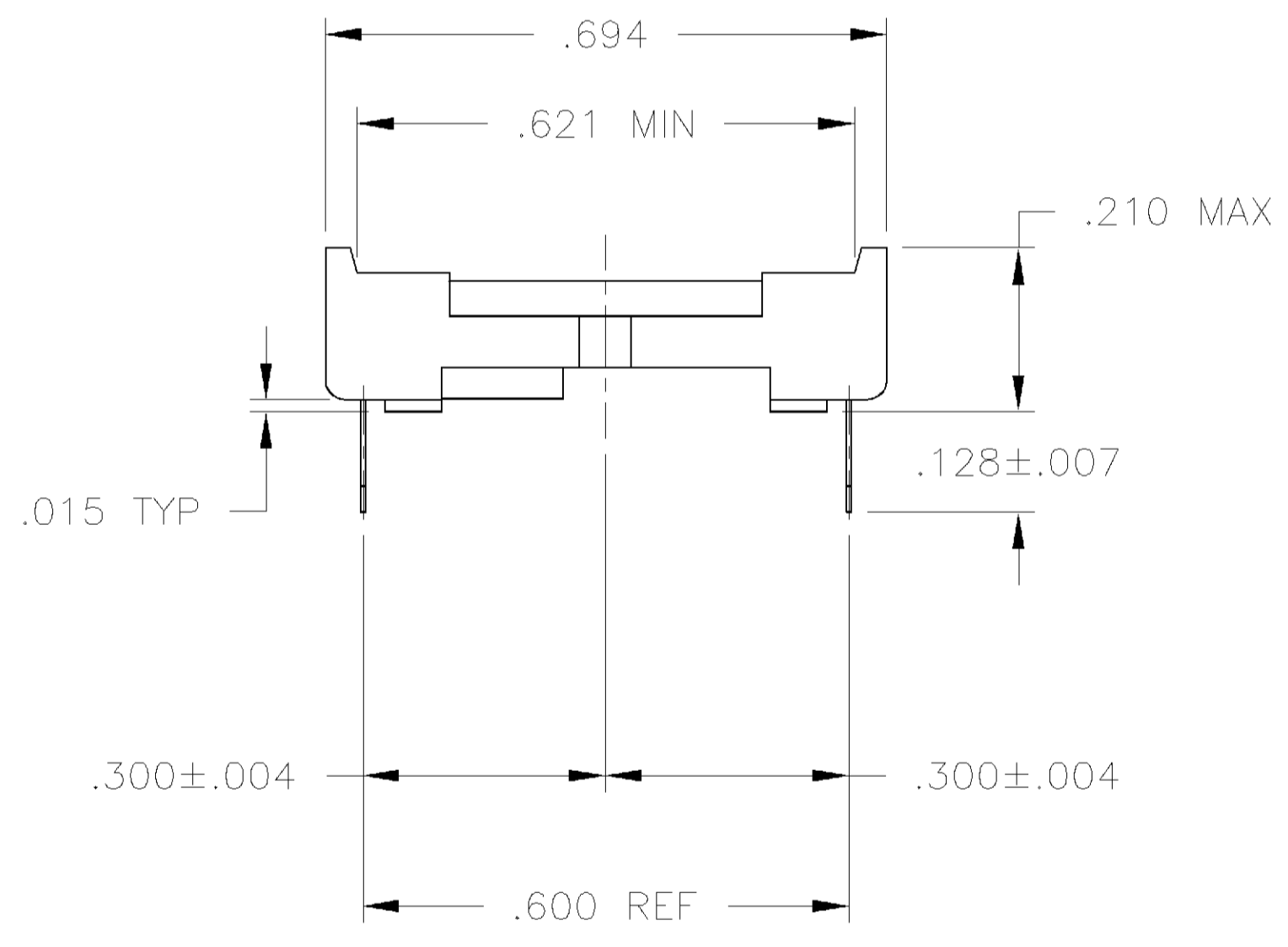
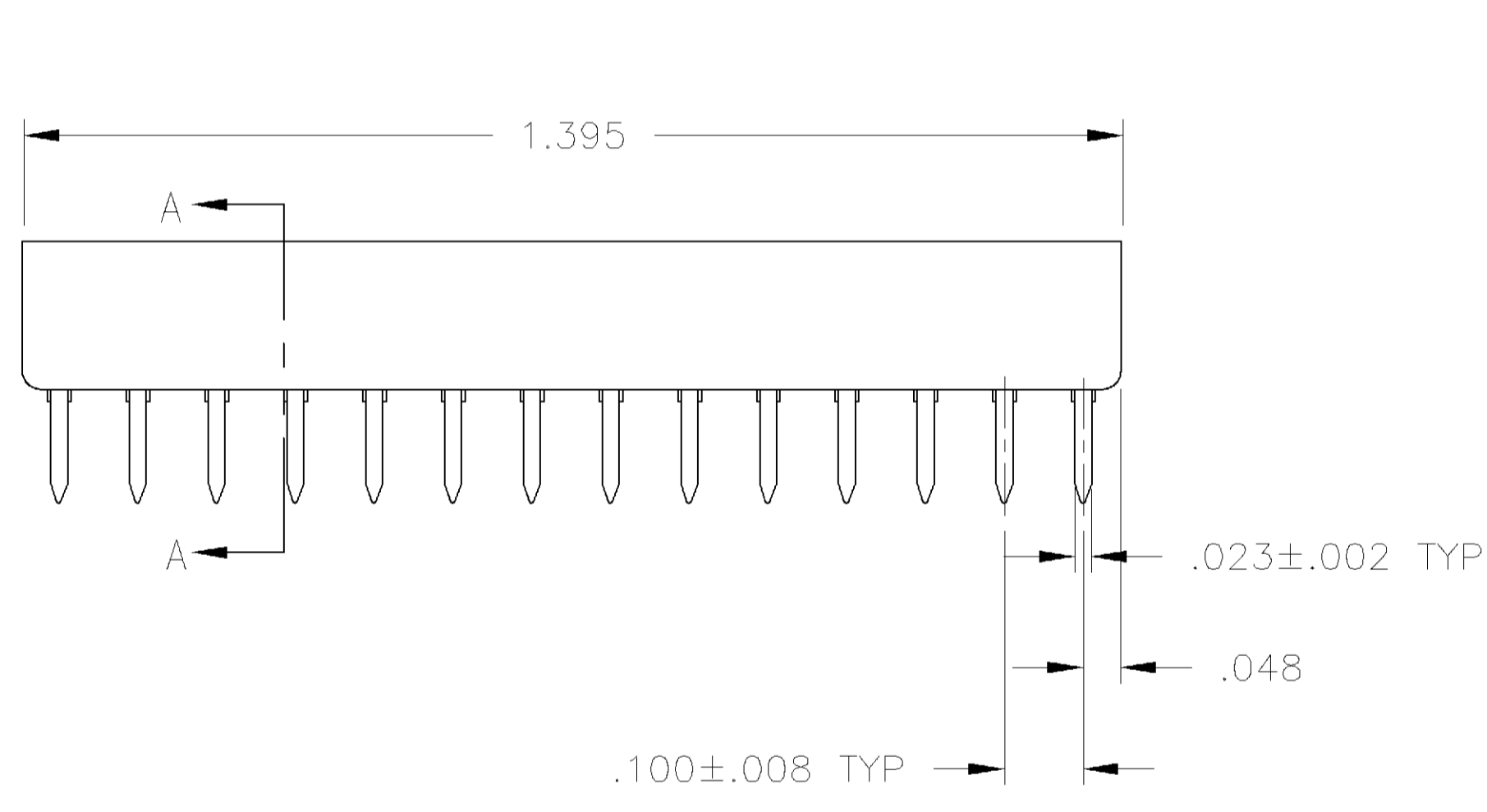
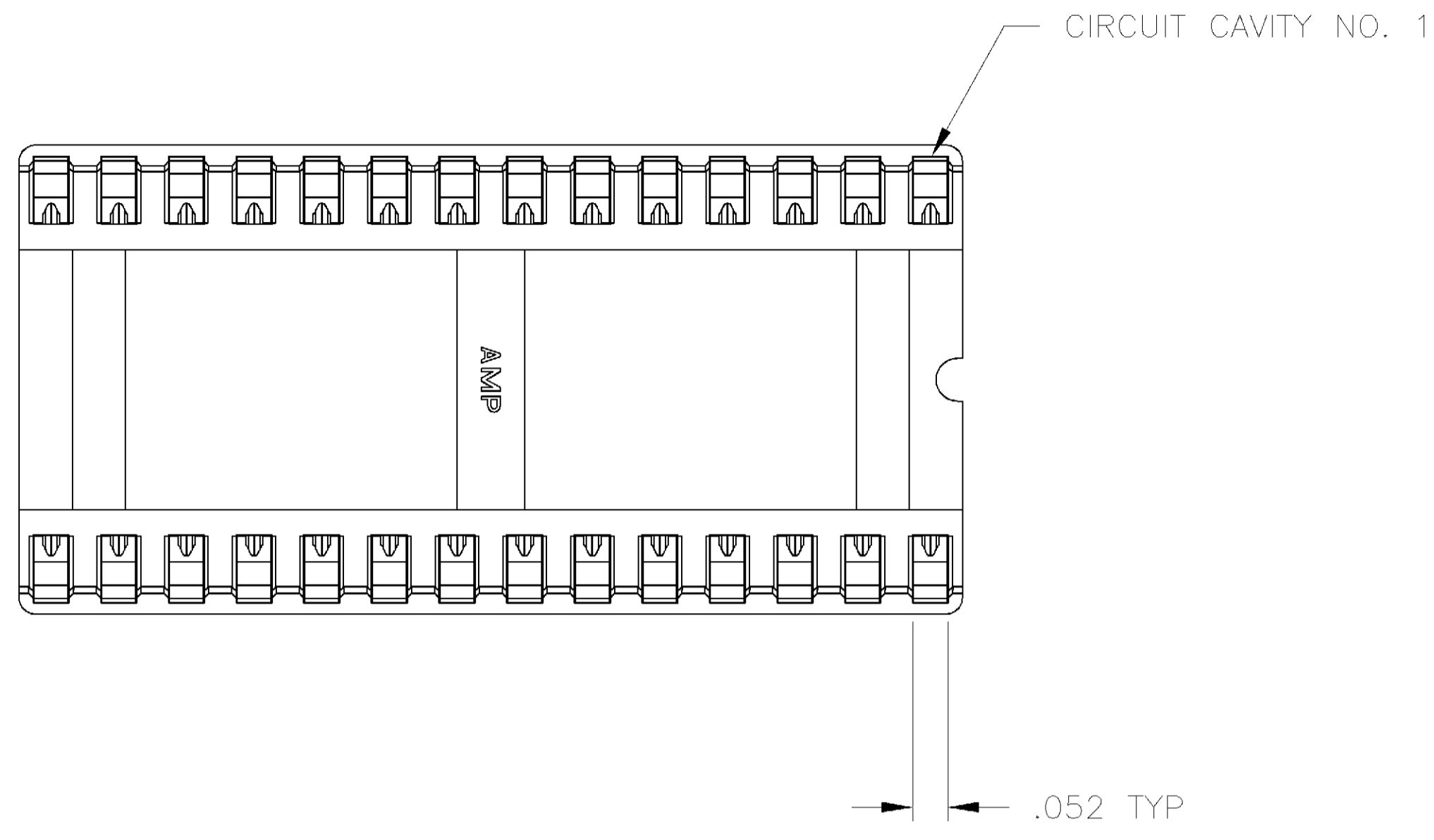
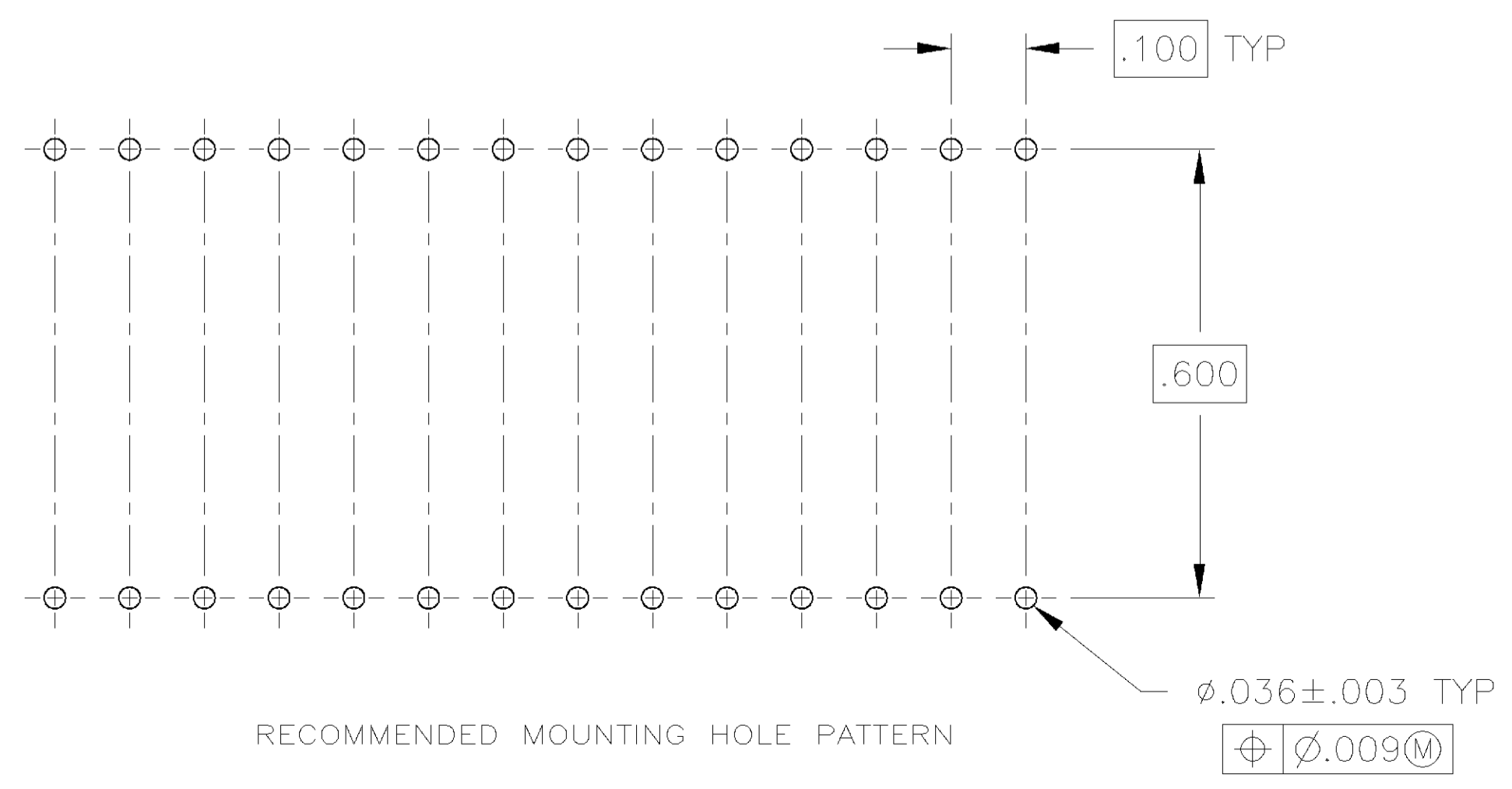


LOC		DIST		REVISIONS			
AD	0	P	LTR	DESCRIPTION	DATE	OWN	APVD
AA	REV PER	OG3C-0104-01			25SEP01	RB	JO

1. RECEPTACLE ACCEPTS A .008-.014 THICK I.C. LEAD.
2. TUBE LOADED FOR AUTOMATIC INSERTION.
3. TWO .000030 MIN THK. GOLD STRIPES IN CONTACT AREA WITH TIN-LEAD (93/7) ON SOLDER LEGS, BALANCE OF CONTACT NICKEL PLATED.
4. TWO .000015 MIN THK. GOLD STRIPES IN CONTACT AREA WITH TIN-LEAD (93/7) ON SOLDER LEGS, BALANCE OF CONTACT NICKEL PLATED.
5. SEE RESTRICTED CUSTOMER DRAWING 3-641605-1, FOR PART NUMBERS 3-641605-1, & 3-641605-3.
6. SEE RESTRICTED CUSTOMER DRAWING 4-641605-3.



SECTION A-A
SCALE 10:1



OBSOLETE					
OBSOLETE	TINNED	PHOS.BRZ. .006 THK	GLASS-FILLED THERMOPLASTIC, 94V-0, BLACK	2-641605-5	
		PHOS.BRZ. .006 THK	GLASS-FILLED THERMOPLASTIC, 94V-0, BLACK	2-641605-4	
SUPSD BY 390262-2	TINNED	PHOS.BRZ. .006 THK	GLASS-FILLED THERMOPLASTIC, 94V-0, BLACK	2-641605-3	
		BE.CU. .006 THK	GLASS-FILLED THERMOPLASTIC, 94V-0, BLACK	2-641605-2	
SUPSD BY 390262-2	TINNED	BE.CU. .006 THK	GLASS-FILLED THERMOPLASTIC, 94V-0, BLACK	2-641605-1	
	CONTACT FINISH	CONTACT MAT'L	HOUSING MATERIAL		PART NO.

THIS DRAWING IS A CONTROLLED DOCUMENT.

DIMENSIONS: INCHES	TOLERANCES UNLESS OTHERWISE SPECIFIED:	0 PLC ± -	1 PLC ± -	2 PLC ± -	3 PLC ± .005	4 PLC ± -	ANGLES ± 0-30°
MATERIAL: SEE TABLE	FINISH: SEE TABLE	DWG: R BROWN 19OCT00		CHK: H WYNKOOP 19OCT00		APVD: H WYNKOOP 19OCT00	
		Tyco Electronics Corporation Harrisburg, PA 17105		NAME: SOCKET ASSY, DIP, LADDER, 28 POS, DIPLOMATE™ DL		RESTRICTED TO: -	
		PRODUCT SPEC: 108-1066		APPLICATION SPEC: 114-1049		SIZE: A1	
		CUSTOMER DRAWING		SCALE: 5:1		SHEET 1 OF 1	